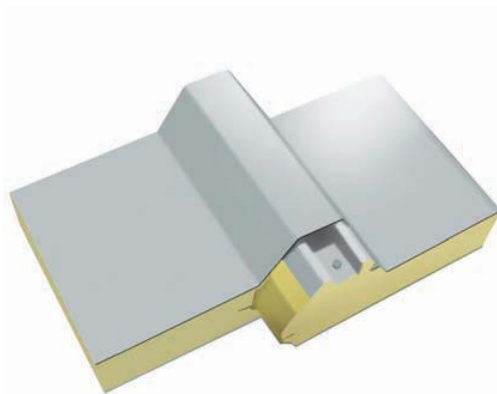
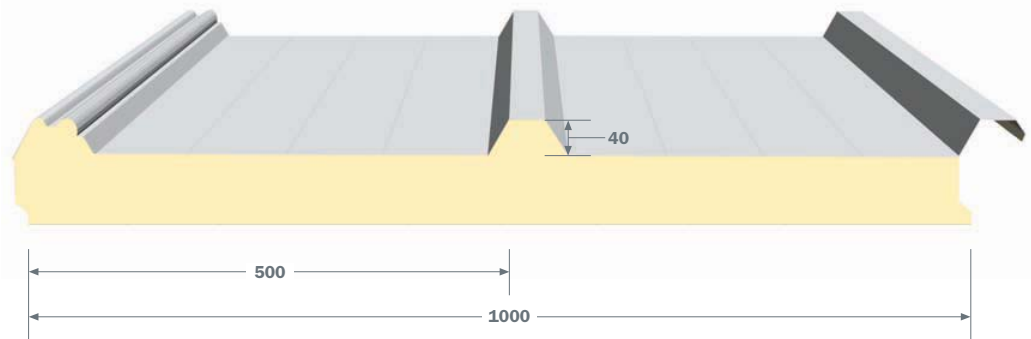




## DWRP SERIES HIGH RIBBED ROOF PANELS



### PUR INSULATED, HIGH RIBBED ROOF PANELS

#### FEATURES:

- Concealed fasteners in the connection of the panels to the building framing/sealed panel joints. This will prevent seepage of water from screws penetrating through the panel (common detail with other manufacturers).
- Rib height = 40mm. This allows for a greater weight due to snow or equipment loading to be imposed on the panel.

#### EXPLANATION OF PRODUCT CODE:



#### LOAD SPAN DATA & TECHNICAL INFORMATION

s mm	K K/m <sup>2</sup> · h · °C	Weight		P				P				
		Kg/m <sup>2</sup>		P=Kg/m <sup>2</sup>	50 75 100 150			50 75 100 150				
		0.5/0.4mm	0.6/0.6mm		50	75	100	150	50	75	100	150
30	0.45	9.24	11.70	l=	4.76	4.25	3.65	2.90	4.25	3.78	3.78	2.60
40	0.36	9.59	12.10	l=	5.06	4.55	3.90	3.20	4.55	3.90	3.90	2.85
50	0.31	9.94	12.50	l=	5.36	4.77	4.10	3.35	4.80	4.10	4.10	3.00
60	0.26	10.29	12.90	l=	5.72	5.03	4.35	3.55	5.05	4.30	4.30	3.15
75	0.21	10.99	13.70	l=	6.26	5.52	4.80	3.95	5.55	4.70	4.70	3.45
100		11.69	14.50									
120		12.39	15.30									



## DWRP SERIES HIGH RIBBED ROOF PANELS



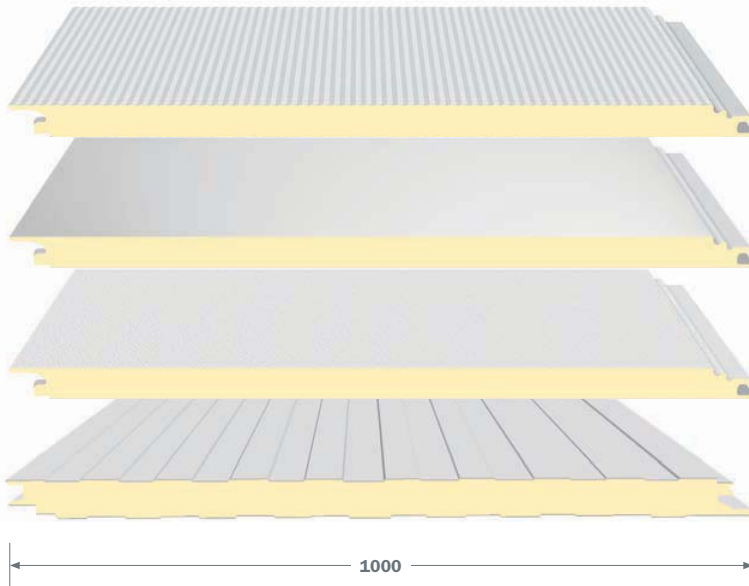
SPECIFICATIONS	
Surface type	High ribbed (outside), flat (inside)
Thickness of insulation	75mm, 100mm
Density	42.9 kg/m <sup>3</sup>
Rib height	40mm
Effective width	1000mm
Colours available	White, silver, sea blue, light red
Insulation materials available	PUR/PIR
Surface painting	PE, HDP, PVDF, SMP
Surface plating	Galvalume



PE = Polyester  
 HDP = High durability polyester  
 PVDF = Polyvinylidene fluoride  
 SMP = Silicone modified polyester



## DWWP SERIES HORIZONTAL EXTERIOR ARCHITECTURAL PANELS



### PUR INSULATED HORIZONTAL EXTERIOR WALL PANELS

#### FEATURES:

- Several options in surface profiles available (minor ripple, flat, embossed, minor ribbed) for selection.
- Concealed fasteners in the connection of the panels to the building framing/sealed panel joints.
- Highly resistant to bending. Will accept high lateral wide loads.

SPECIFICATIONS	
Surface type	Minor ripple, flat, embossed, minor ribbed
Thickness of insulation	60mm, 75mm, 80mm, 100mm
Wave crest height	N/A
Effective width	1000mm
Colours available	White, silver, sea blue, light red
Insulation materials available	PUR/PIR
Panel Configuration	1. Horizontal; 2. Vertical
Surface painting	PE, HDP, PVDF, SMP
Surface plating	Galvalume

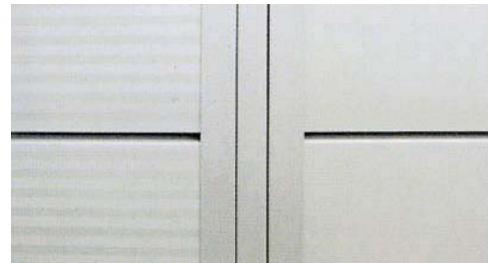
PE = Polyester; HDP = High durability polyester; PVDF = Polyvinylidene fluoride; SMP = Silicone modified polyester

#### EXPLANATION OF PRODUCT CODE:

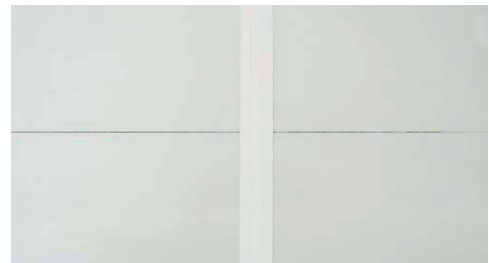


PUR Insulation wall panel

A horizontal no ripple, B horizontal with ripple



**DWWP/1000A-50 (60 75 80 100)**



**DWWP/1000B-50 (60 75 80 100)**